

Computer Monitors Service Bulletin

CSI-111

Sony Service Company - Technical Services
A Division of Sony Electronics Inc.
Sony Drive, Park Ridge, New Jersey 07656

Model: GDM-17SE1, GDM-20SE1

No. 99

Subject: Picture not Focused at Sides or in Spots.

Date: November 10, 1995

Symptom:

(133)

Picture out of focus along the side or in random areas. Failure of dynamic focus circuits is caused by damaged IC404 on the D board.

Solution:

IC404 is damaged by energy of CRT arcing at G4. Replacing IC404 will restore dynamic focus function. Adding two new capacitors and one new diode to the IC404 circuit will reduce the arc energy reaching IC404.

PARTS REQUIRED

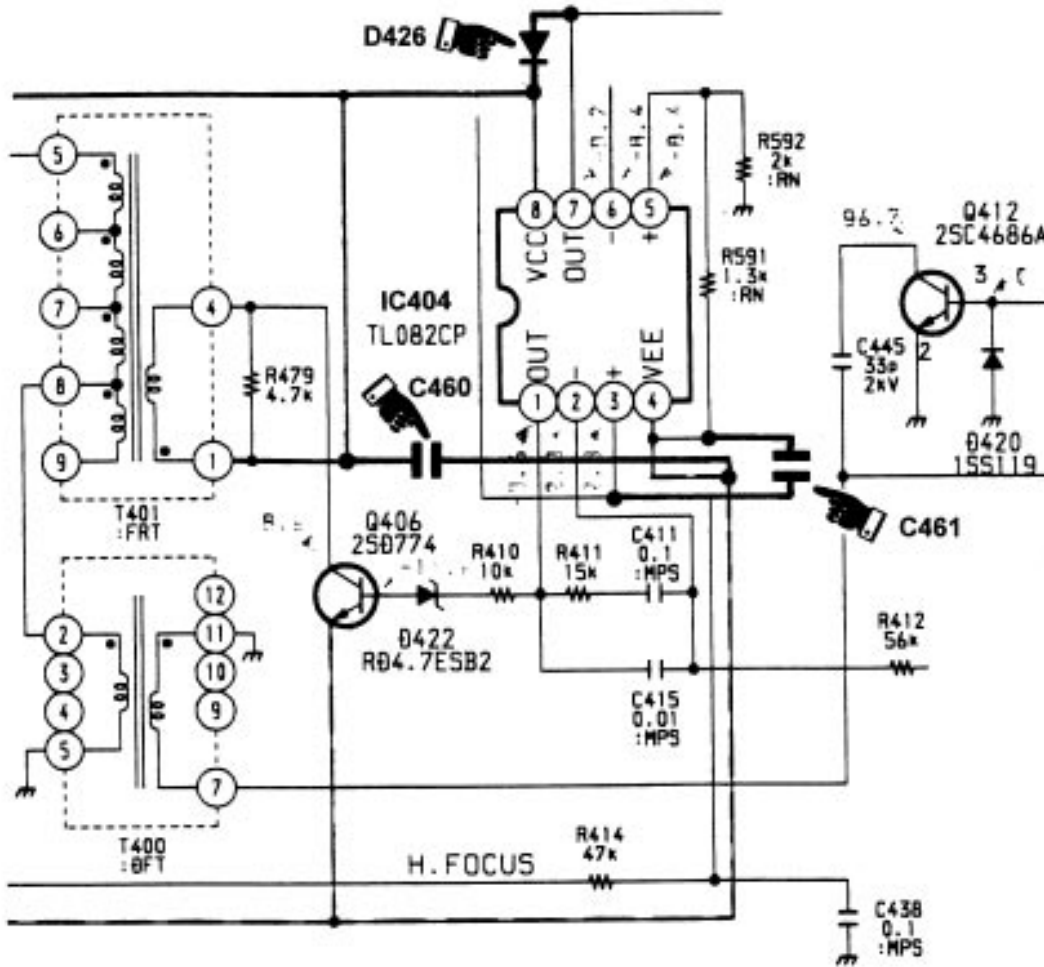
REF. NO.	COMPONENT DESCRIPTION	SONY P/N	CONNECTIONS TO IC404
IC404	IC: TL082CP	8-759-503-91	Replace IC
C460	Film Cap.: 0.1 MF 5% 50V	1-137-399-11	Pin 8 and Pin 4
C461	Film Cap.: 0.1 MF 5% 50V	1-137-399-11	Pin 3 and Pin 4
D426	Diode: 1SS19	8-719-911-19	Cathode to Pin 8; Anode to Pin 7

The circuit changes are indicated in the schematic figure on the following page. The PCB changes are indicated in the layout figure on the last page.

CONT.



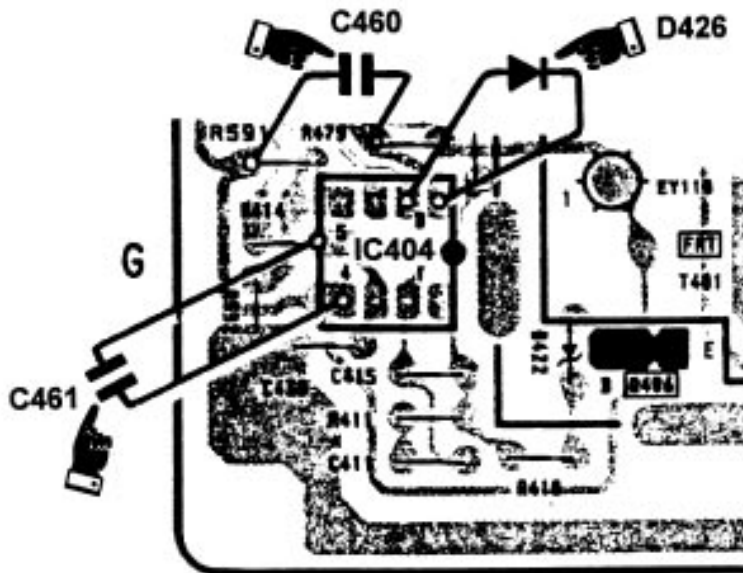
D Board Schematic: C460, C461, D426 added to IC404.



Procedure for implementing circuit changes.

1. Replace IC 404 on the D Board.
2. Install C460 as a new part. Cut leads to about 0.5" length. Solder tack one lead to IC404 Pin 4 at the R591 solder pad. Solder tack the other lead to IC404 Pin 8 at the R479 solder pad.
3. Install C461 as a new part. Cut leads to about 0.4" length. Solder tack one lead to IC404 Pin 3 at the R414 solder pad. Solder tack the other lead to IC404 Pin 4 solder pad.
4. Install D426 as a new part. Cut leads to about 0.4" length. Solder tack the anode lead to the IC404 Pin 7 solder pad. Solder tack the cathode lead to IC404 Pin 8 solder pad.
5. Secure C460, C461, D426 component bodies to PCB surface with RTV as needed.

D Board Layout: C460, C461, D426 Connections to IC404.



Filename: C_P0099.SB
Directory: J:\SBDOC\NOV95
Template: C:\WINWORD\TEMPLATE\S_BULL.DOT
Title:
Subject:
Author: Hoyt Wing Lee
Keywords:
Comments:
Creation Date: 11/10/95 9:52 AM
Revision Number: 2
Last Saved On: 11/10/95 9:52 AM
Last Saved By: Hoyt Wing Lee
Total Editing Time: 0 Minutes
Last Printed On: 04/01/96 10:17 AM
As of Last Complete Printing
Number of Pages: 3
Number of Words: 319 (approx.)
Number of Characters: 1,823 (approx.)